



KONICA MINOLTA

# bizhub 367/287/227 Spec Sheet

## System

Select One

One of the options may be selected (not mandatory).

Must Select

Once of the options must be selected (mandatory).

Upgrade kit UK-211  
2 GB memory

Device Connection I/F Kit EK-608  
USB hub kit / Voice guidance

Upgrade kit UK-212  
Wireless LAN kit  
\* EK-608 or EK-609 is required.

Device Connection I/F Kit EK-609  
Bluetooth LE / Voice guidance

bizhub Connector S-1/G-1/E-1

Keypad KP-101

Staple Kit SK-602  
\* for FS-534, FS-534SD

Relay Unit RU-514  
Finisher FS-534  
A compact and high-performance finisher with multi-staple up to 50 sheets.

Punch Kit PK-520  
Attaches to Finisher FS-534/FS-534SD for hole punching capability (paper up to 300 g/m<sup>2</sup> thick)

Reverse Automatic Document Feeder DF-628

Original Cover OC-514

Fax Kit FK-513

Stamp Unit SP-501

Staple Kit SK-602  
\* for FS-534, FS-534SD

Relay Unit RU-514  
Finisher FS-534SD  
A compact and high-performance finisher with multi-staple, saddle stitching, half folding and tri-folding features.

Punch Kit PK-520  
Attaches to Finisher FS-534/FS-534SD for hole punching capability (paper up to 300 g/m<sup>2</sup> thick)

Select One

Working Table WT-506

Authentication Unit AU-102  
Biometric type  
\* EK-608 is required.  
\* WT-506 is required.

Authentication Unit AU-201S  
IC card type  
\* EK-608 is required.  
\* WT-506 or MK-735 is required.  
However, AU-102 cannot be combined when equipped with WT-506.

Select One

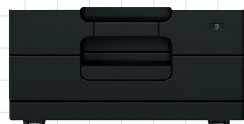
Mount Kit MK-602

Finisher FS-533  
Inner finisher  
Punch kit PK-519

Mount Kit MK-735  
For IC card authentication installation  
Built into front panel.

Select One

Paper Feed Cabinet PC-113 (500 x 1)



• A5 (Short edge feed) to A3  
• 500 sheets x 1  
• 60 to 220 g/m<sup>2</sup>

Paper Feed Cabinet PC-213 (500 x 2)



• A5 (Short edge feed) to A3  
• 500 sheets x 2  
• 60 to 220 g/m<sup>2</sup>

Paper Feed Cabinet PC-413 (2,500)



• A4/Letter (Long edge feed)  
• 2,500 sheets  
• 60 to 220 g/m<sup>2</sup>

Desk DK-513



Note: Some options are not listed.

# Specifications

## bizhub 367/287/227 General Specifications

		bizhub 367	bizhub 287	bizhub 227
Type		Desktop Printer / Copier / Scanner		
Copy Resolution	Scan	Main: 600 dpi x Sub: 600 dpi		
	Print	1,800 dpi (equivalent) x 600 dpi		
Gradation		256		
Memory Capacity (Std./Max.)		2 GB/4 GB		
HDD		250 GB (optional)		
Original Type		Sheets, Books, Objects		
Max. Original Size		A3 (11" x 17")		
Output Size		Main unit: A3 to A5, 11" x 17" to 8-1/2" x 11", 5-1/2" x 8-1/2", 8" x 13" <sup>1</sup> , 16K, 8K Bypass Tray: A3 to A5, B6 <sup>2</sup> , A6 <sup>2</sup> , 11" x 17" to 5-1/2" x 8-1/2", 8" x 13" <sup>2</sup> , 16K, 8K, Postcard (A6 (4" x 6" Card)), Envelope <sup>3</sup> , Label sheet, Tab paper		
Image Loss		Max. 4.2mm or less for top edge (5 mm for thin paper), Max. 3.0mm or less for bottom edge, Max. 3.0mm or less for right/left edges <sup>1</sup> A loss of 4.2 mm each during printing.		
Warm-Up Time** (23°C, std. voltage)		20 sec. or less		
* The time required to start printing when both the main power and sub-power switches are turned from OFF to ON.				
* The time required to start printing when the main power switch is ON and the sub-power switch is turned from OFF to ON.				
First Copy Out Time*5		4.5 sec. or less	5.3 sec. or less	
Copy Speed (A4)		36 ppm	28 ppm	22 ppm
Copy Magnification	Fixed Same Magnification	1: 1±0.5% or less		
	Scaling Up	1: 1.154/1.224/1.414/2.000		
	Scaling Down	1: 0.866/0.816/0.707/0.500		
	Preset	3 types		
	Zoom	25 to 400% (in 0.1% increments)		
	Lengthwise Crosswise Individual Settings	25 to 400% (in 0.1% increments)		
Paper Capacity (80 g/m <sup>2</sup> )	Tray 1	500 sheets (up to B4)		
	Tray 2	500 sheets (up to A3)		
	Multiple Bypass Tray	100 sheets (up to A3)		
Max. Paper Capacity (80 g/m <sup>2</sup> )*6		3,600 sheets		
Paper Weight	Tray 1 / 2	60 to 220 g/m <sup>2</sup>		
	Multiple Bypass Tray	60 to 220 g/m <sup>2</sup>		
Multiple Copy		1 to 9,999 sheets		
Auto Duplex	Paper Size	A3 to A5 <sup>7</sup> , B5 <sup>7</sup> , 11" x 17" <sup>7</sup> to 5-1/2" x 8-1/2" <sup>7</sup> , 7-1/4" x 10-1/2", 8" x 13" <sup>7</sup> , 16K, 8K <sup>2</sup>		
	Paper Weight	60 to 209 g/m <sup>2</sup>		
Power Requirements		AC230 V 7 A (50 to 60 Hz)		
Max. Power Consumption		1.5 kW or less		
Dimensions [W] x [D] x [H]		585 x 660 x 735 mm (23-1/16" x 26" x 28-15/16")		
Weight		Approx. 56.5 kg (124-1/2 lb)		
Space Requirements [W] x [D]*8		899 x 1,172 mm (35-1/2" x 46-1/4")		

\*1 There are six types of footscap: 8-1/2" x 13-1/2"<sup>2</sup>, 220 mm x 330 mm<sup>2</sup>; 8-1/2" x 13"<sup>2</sup>; 8-1/4" x 13"<sup>2</sup>; 8-1/8" x 13-1/4"<sup>2</sup>; and 8" x 13"<sup>2</sup>. Any one of these sizes is selectable. For details, contact your service representative.

\*2 Short edge feed

\*3 Wrinkles or printing errors may occur due to the type, storage or environment that exists when envelope printing is carried out.

\*4 May vary depending on the operating environment and usage.

\*5 A4 long edge feed full size/using the first tray/scanning from the original glass surface.

\*6 With options installed.

\*7 Long edge feed

\*8 Without options, with paper trays pulled out and multiple bypass tray opened.

## Printer Specifications

Type		Embedded
CPU		ARM Cortex-A7 Dual-core 1.2GHz
Memory		Shared with the copier
Print Speed		Same as Copy Speed (when using the same original)
HDD		250 GB (Shared with the copier)
Print Resolution		1,800 dpi (equivalent) x 600 dpi
PDL		PCL 6, PostScript 3 Emulation, XPS
Protocol		TCP/IP (LPD, Raw, SMB, IPP), AppleTalk, IPX/SPX
Support OS		Windows Vista <sup>*1</sup> / 7 <sup>*1</sup> / 8.1 <sup>*1</sup> / 10 <sup>*1</sup> Windows Server 2008 <sup>*1</sup> / 2008 R2 / 2012 / 2012 R2 Mac OS X (10.7 / 10.8 / 10.9 / 10.10 / 10.11) Linux
Fonts	PCL	80 Roman fonts
	PS	137 Roman Type1 fonts
Interface		Ethernet (10BASE-T/100BASE-TX/1000BASE-T), USB 1.1, USB 2.0, IEEE 802.11 b/g/n <sup>*2</sup>

\*1 Supports the 32-bit (x86) or 64-bit (x64) environment.

\*2 Optional

## Scanning Specifications

Type		Full-Colour Scanner
Interface		Ethernet (10BASE-T/100BASE-TX/1000BASE-T), IEEE 802.11 b/g/n <sup>*1</sup>
Driver		TWAIN Driver, HDD TWAIN Driver
Protocol		TCP/IP (FTP, SMB, SMTP, WebDAV) (IPv4/IPv6)
Scanning Speed (Colour/B&W) (300 dpi, A4, Simplex)		45 opm <sup>*2</sup>
Scanning Size		Max. A3 (11" x 17")
Output Format		TIFF, JPEG, PDF, Compact PDF, XPS, Compact XPS, OOXML (pptx, xlsx <sup>*1</sup> , docx <sup>*1</sup> ), Searchable PDF <sup>*1</sup> , PDF/A <sup>*1</sup> , Linearised PDF <sup>*1</sup>
Scanning Resolution	Push	200 dpi / 300 dpi / 400 dpi / 600 dpi
	Pull	100 dpi / 200 dpi / 300 dpi / 400 dpi / 600 dpi
Main Functions		Scan to E-Mail, Scan to FTP, Scan to BOX (HDD), Scan to PC (SMB), Network TWAIN, Scan to WebDAV, Scan to USB, Scan to Scan Server, Scan to Web Service (WSD-Scan), Device Profile for Web Services (DPWS)
Other Functions		Multi-Method Send, Authentication at the time of E-Mail send (SMTP authentication, POP before SMTP), S/MIME, Annotation

\*1 Optional

\*2 When using the Reverse Automatic Document Feeder DF-628.

## Internet Fax

Protocol		TX: SMTP, RX: POP3, TCP/IP Simple mode
Connection Mode		Full-Mode
Sending Paper Size		A3, B4, A4
Recording Paper Size		Max. A3
Resolution		B/W: 200 x 100 dpi, 200 x 200 dpi, 400 x 400 dpi, 600 x 600 dpi Colour: 200 x 200 dpi, 400 x 400 dpi, 600 x 600 dpi
Interface		Ethernet (10BASE-T/100BASE-TX/1000BASE-T)
Colour		Support Colour Internet Fax
Format		B/W: TIFF-F Colour: TIFF (Conforms to RFC3949 Profile-C)

## Fax Kit FK-513 (Optional)

\*Optional HDD will be needed if MFP does not equip the HDD as standard.

Communication		Super G3
Compatible Lines		Public Switch Telephone Network, Private Branch Exchange, Fax Communication Line
Line Density		Ultra Fine: 600 dpi 600 dpi Super Fine: 16 dot/mm 15.4 line/mm, 400 dpi 400 dpi Fine: 8 dot/mm 7.7 line/mm, 200 dpi 200 dpi Normal: 8 dot/mm 3.85 line/mm
Modem Speed		2.4 to 33.6 kbps
Compression		MH/MR/MMR/JBIG
Sending Paper Size		Max. A3 (Long Length Support: Max. 1,000 mm)
Recording Paper Size		Max. A3 (Long Length Max. 1,000 mm — following the page division —)
Transmission Speed		Less than 2 sec. (A4, V34, 33.6 kbps, JBIG)
Memory		Shared with the copier
Number of Abbr. Dials		2,000
Number of Program Dials		400
Number of Group Dials		100
Sequential Multiple Station Transmission		Max. 600

## IP Address Fax

\*Optional Fax Kit FK-513 is required.

Protocol Transmission		TCP/IP, SMTP
Sending Paper Size		A3, B4, A4
Resolution		200 x 200 dpi, 400 x 400 dpi, 600 x 600 dpi
Format		B/W: TIFF-F, TIFFS Colour: TIFF, PDF

## Reverse Automatic Document Feeder DF-628 (Optional)

Type		Circulatory duplex system
Support Paper Size		Max. A3 (Fax mode: Max. 1,000 mm)
Mixed Size		Support
Original Set		Centre guide
Support Paper Weight		Simplex: 35 to 128 g/m <sup>2</sup> Duplex/Mixed Original: 50 to 128 g/m <sup>2</sup>
Paper Capacity		Max. 130 sheets (68 g/m <sup>2</sup> )
Productivity (A4)	Simplex	500 sheets (60 to 90 g/m <sup>2</sup> , A4 <sup>*1</sup> or smaller)
	Duplex	Colour/B&W: 45 opm (300 dpi), 36 opm (600 dpi) Colour/B&W: 22 opm (300 dpi), 17 opm (600 dpi)
Power Requirements		Supplied from the MFP main body
Dimensions [W] x [D] x [H]		585 x 504 x 127 mm (23" x 19-3/4" x 5")
Weight		Approx. 9 kg (19-3/4lb)

## Finisher FS-533 (Optional)

\*Optional Mount Kit MK-602 is required.

Type		Finisher
Support Paper Type		Plain paper (60 to 90 g/m <sup>2</sup> ), Thick paper (91 to 220 g/m <sup>2</sup> ), Transparency, Envelope, Label sheet, Letterhead paper, Tab paper
Support Paper Size		A3 to A5, B6 <sup>1</sup> , A6 <sup>1</sup> , 11" x 17" to 5-1/2" x 8-1/2", 16K, 8K, Postcard (A6 (4" x 6" Card))
Mode		Sort, Group, Offset Sort, Offset Group, Staple
Stacking Capacity		500 sheets (60 to 90 g/m <sup>2</sup> , A4 <sup>*1</sup> or smaller) 250 sheets (60 to 90 g/m <sup>2</sup> , B4 or larger) 10 sheets (91 to 220 g/m <sup>2</sup> , special paper)
Staple Capacity		50 sheets (60 to 90 g/m <sup>2</sup> , A4 <sup>*1</sup> or smaller) 30 sheets (60 to 90 g/m <sup>2</sup> , B4 or larger) 2 sheets (91 to 209 g/m <sup>2</sup> , as cover pages)
Power Requirements		Supplied from the MFP main body
Max. Power Consumption		40 W or less
Dimensions [W] x [D] x [H]		472.5 x 583.5 x 194.7 mm (18-1/2" x 23" x 7-3/4")
Weight		Approx. 12 kg (26-1/2 lb)

\*1 Short edge feed

## Punch Kit PK-519 (Optional)

Applicable		Finisher FS-533
Number of holes		2 holes or 4 holes
Support Paper Type (Weight)		Plain paper (60 to 90 g/m <sup>2</sup> ), Thick paper (91 to 157 g/m <sup>2</sup> )
Support Paper Size		A3 to B5, 11" x 17" to 7-1/4" x 10-1/2"
Power Requirements		Supplied from Finisher FS-533
Dimensions [W] x [D] x [H]		110.2 x 483.5 x 203.2 mm (4-1/2" x 19" x 8")
Weight		Approx. 3.2 kg (7 lb)

# Specifications



## Job Separator JS-506 (Optional)

Support Paper Type (Weight)	Tray 1	Plain paper (60 to 90 g/m <sup>2</sup> ), Thick paper (91 to 220 g/m <sup>2</sup> ), Transparency, Envelope, Label sheet
	Tray 2	Plain paper (60 to 90 g/m <sup>2</sup> ), Thick paper (91 to 220 g/m <sup>2</sup> ), Transparency, Envelope, Label sheet
Support Paper Size		A3 to A5, B6 <sup>1</sup> , A6 <sup>1</sup> , 11" x 17" to 5-1/2" x 8-1/2", 16K, 8K, Postcard (A6 (4" x 6" Card))
Stacking Capacity	Tray 1	100 sheets (60 to 90 g/m <sup>2</sup> )
	Tray 2	150 sheets (60 to 90 g/m <sup>2</sup> )
Power Requirements	Supplied from MFP main body	
Max. Power Consumption	24 W or less	
Dimensions [W] x [D] x [H]	451 x 469 x 227 mm (17-3/4" x 18-1/2" x 9")	
Weight	Approx. 1.5 kg (3-1/4 lb)	

\*1 Short edge feed



## Finisher FS-534 (Optional)

Type	Finisher	
Support Paper Type	Plain paper (60 to 90 g/m <sup>2</sup> ), Thick paper (91 to 220 g/m <sup>2</sup> ), Transparency, Envelope, Label sheet, Letterhead paper, Tab paper	
Support Paper Size	A3 to A5, B6 <sup>1</sup> , A6 <sup>1</sup> , 11" x 17" to 5-1/2" x 8-1/2", 16K, 8K, Postcard (A6 (4" x 6" Card))	
Mode	Sort, Group, Offset Sort, Offset Group, Staple	
Stacking Capacity	Output tray 1 (Sub tray)	200 sheets (60 to 90 g/m <sup>2</sup> ) 20 sheets (91 to 220 g/m <sup>2</sup> , special paper)
	Output tray 2 (Main tray)	3,000 sheets (60 to 90 g/m <sup>2</sup> , A4 <sup>*1</sup> or smaller, B5 or larger) 1,500 sheets (60 to 90 g/m <sup>2</sup> , B4 or larger) 500 sheets (60 to 90 g/m <sup>2</sup> , A5 or smaller) 20 sheets (91 to 220 g/m <sup>2</sup> , special paper)
	Output tray 3 (Relay Unit top surface)	100 sheets (60 to 90 g/m <sup>2</sup> ) 20 sheets (91 to 220 g/m <sup>2</sup> , special paper)
Staple Capacity	50 sheets (Plain Paper 60 to 90 g/m <sup>2</sup> ) 48 sheets (Plain paper 60 to 90 g/m <sup>2</sup> ) + 2 sheets (Thick paper 91 to 209 g/m <sup>2</sup> ) 30 sheets (Thick paper 91 to 120 g/m <sup>2</sup> ) 15 sheets (Thick paper 121 to 209 g/m <sup>2</sup> )	
Power Requirements	Supplied from the MFP main body	
Max. Power Consumption	56 W or less	
Dimensions [W] x [D] x [H]	528 x 641 x 1,023 mm (20-3/4" x 25-1/4" x 40-1/4")	
Weight	Approx. 40 kg (88-1/4 lb)	

\*1 Short edge feed



## Finisher FS-534SD (Optional)

Type	Finisher	
Support Paper Type	Thin paper/Plain paper (60 to 90 g/m <sup>2</sup> ), Thick paper (91 to 220 g/m <sup>2</sup> ), Transparency, Envelope, Label sheet, Letterhead paper, Tab paper Centre Staple: 60 to 90 g/m <sup>2</sup> Half-Fold: 60 to 209 g/m <sup>2</sup> (more than 91 g/m <sup>2</sup> Thick paper can be used only as a cover page) Tri-Fold: 60 to 90 g/m <sup>2</sup>	
Support Paper Size	A3 to A5, B6 <sup>1</sup> , A6 <sup>1</sup> , 11" x 17" to 5-1/2" x 8-1/2", 16K, 8K, Postcard (A6 (4" x 6" Card)), Centre Staple, Half-Fold: A3, B4, A4 <sup>1</sup> , 11" x 17", 8-1/2" x 14", 8-1/2" x 11" <sup>1</sup> , 8K Tri-Fold: A4 <sup>1</sup> , 8-1/2" x 11" <sup>1</sup> , 16K <sup>1</sup>	
Mode	Sort, Group, Offset Sort, Offset Group, Staple	
Staple Capacity	50 sheets (Plain Paper 60 to 90 g/m <sup>2</sup> ) 48 sheets (Plain paper 60 to 90 g/m <sup>2</sup> ) + 2 sheets (Thick paper 91 to 209 g/m <sup>2</sup> ) 30 sheets (Thick paper 91 to 120 g/m <sup>2</sup> ) 15 sheets (Thick paper 121 to 209 g/m <sup>2</sup> )	
Maximum Number of Sheets that can be Centrestapled	20 (60 to 90 g/m <sup>2</sup> ) sheets, or 19 (90 g/m <sup>2</sup> ) sheets + Thick (209 g/m <sup>2</sup> ) 1 sheet	
Maximum Number of Folded Sheets	Half-Fold: 5 sheets or Thick (91 to 209 g/m <sup>2</sup> ) 1 sheet, Tri-Fold: 3 sheets	
Stacking Capacity	Output tray 1 (Sub tray)	200 sheets (60 to 90 g/m <sup>2</sup> ), 20 sheets (91 to 220 g/m <sup>2</sup> , special paper)
	Output tray 2 (Main tray)	3,000 sheets (60 to 90 g/m <sup>2</sup> , A4 <sup>*1</sup> or smaller, B5 or larger) 1,500 sheets (60 to 90 g/m <sup>2</sup> , B4 or larger) 500 sheets (60 to 90 g/m <sup>2</sup> , A5 or smaller) 20 sheets (91 to 220 g/m <sup>2</sup> , special paper)
	Output tray 3 (Relay Unit top surface)	100 sheets (60 to 90 g/m <sup>2</sup> ) 20 sheets (91 to 220 g/m <sup>2</sup> , special paper)
Folding output tray	1 to 3 sheets: 20 sets 4 to 10 sheets: 10 sets 11 to 20 sheets: 5 sets Tri-Fold (1 sheet): 30 sets Tri-Fold (2-3 sheets): 10 sets	
Power Requirements	Supplied from the MFP main body	
Max. Power Consumption	56 W or less	
Dimensions [W] x [D] x [H]	528 x 641 x 1,023 mm (20-3/4" x 25-1/4" x 40-1/4")	
Weight	Approx. 64 kg (141 lb)	

\*1 Short edge feed



## Punch Kit PK-520 (Optional)

Applicable	Finisher FS-534/FS-534SD
Number of holes	2 holes or 4 holes
Support Paper Type (Weight)	Plain paper (60 to 90 g/m <sup>2</sup> ), Thick paper (91 to 220 g/m <sup>2</sup> )
Support Paper Size	A3 to B5, 11" x 17" to 7-1/4" x 10-1/2", 16K, 8K
Power Requirements	Supplied from Finisher FS-534/FS-534SD
Dimensions [W] x [D] x [H]	61 x 492 x 142 mm (2-1/2" x 19-1/2" x 5-1/2")
Weight	Approx. 1.8 kg (4 lb)



## Paper Feed Cabinet PC-113 (Optional)

Support Paper Type (Weight)	Plain paper (60 to 90 g/m <sup>2</sup> ) Thick paper (91 to 220 g/m <sup>2</sup> )
Support Paper Size	A3 to A5 <sup>1</sup> , 11" x 17" to 5-1/2" x 8-1/2", 8" x 13", 16K, 8K
Paper Capacity	Top tray (Tray 3) Plain paper: 500 sheets, Thick paper: 150 sheets
Power Requirements	Supplied from the MFP main body
Dimensions [W] x [D] x [H]	564 x 640 x 298 mm (22-1/4" x 25-1/4" x 11-3/4")
Unit Configuration	Paper tray, 1 level
Weight	Approx. 23 kg (50-3/4 lb)

\*1 Short edge feed



## Paper Feed Cabinet PC-213 (Optional)

Support Paper Type (Weight)	Plain paper (60 to 90 g/m <sup>2</sup> ) Thick paper (91 to 220 g/m <sup>2</sup> )
Support Paper Size	A3 to A5 <sup>1</sup> , 11" x 17" to 5-1/2" x 8-1/2", 8" x 13", 16K, 8K
Paper Capacity	Top tray (Tray 3) Plain paper: 500 sheets, Thick paper: 150 sheets
	Bottom tray (Tray 4) Plain paper: 500 sheets, Thick paper: 150 sheets
Power Requirements	Supplied from the MFP main body
Dimensions [W] x [D] x [H]	564 x 640 x 298 mm (22-1/4" x 25-1/4" x 11-3/4")
Unit Configuration	Paper tray, 2 level
Weight	Approx. 26 kg (57-1/4 lb)

\*1 Short edge feed



## Paper Feed Cabinet PC-413 (Optional)

Support Paper Type (Weight)	Plain paper (60 to 90 g/m <sup>2</sup> ) Thick paper (91 to 220 g/m <sup>2</sup> )
Support Paper Size	A4 <sup>1</sup> , 8-1/2" x 11" <sup>1</sup>
Paper Capacity	Plain paper: 2,500 sheets, Thick paper: 1,000 sheets
Power Requirements	Supplied from the MFP main body
Dimensions [W] x [D] x [H]	564 x 640 x 298 mm (22-1/4" x 25-1/4" x 11-3/4")
Unit Configuration	Paper tray, 2 level
Weight	Approx. 24.5 kg (54 lb)

\*1 Long edge feed

## Authentication Unit (IC Card type) AU-201S (Optional)

Applicable Card	FeliCa (IDm), SSFC, FCF, FCF (campus), FeliCa Private, TypeA MIFARE (UID), NFC (Host Card Emulation)
Interface	USB 2.0
Power Supply	Power received from USB port
Dimensions [W] x [D] x [H]	98 x 64 x 13 mm (3-7/8" x 2-1/2" x 1/2") (not including projections)
Weight	Approx. 100 g (1/4 lb)

## Authentication Unit (Biometric type) AU-102 (Optional)

Biometric Sensor System	Transmission-type optical system
Interface	USB 2.0
Verification Time	Approx. 1 sec. or less
Max. Power Consumption	DC 5 V 500 mA
Dimensions [W] x [D] x [H]	59 x 82 x 74 mm (2-1/4" x 3-1/4" x 3")
Weight	Approx. 96 g (1/4 lb) (excluding USB cable)

# i-Option

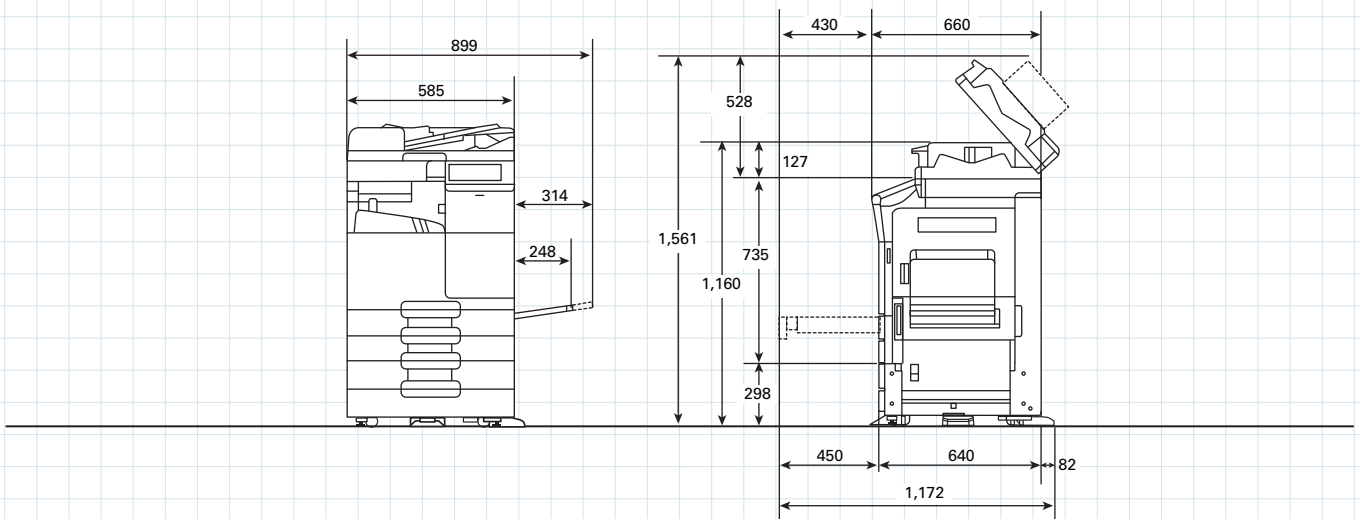
Model	Function	Note
i-Option LK-102 v3	Encrypted PDF or PDF/A (1a/1b)	Upgrade Kit UK-211 is required.
i-Option LK-104 v3	Voice guidance*1	
i-Option LK-105 v4	Searchable PDF	
i-Option LK-106	Barcode font (Code39, QR Code, PDF417)	
i-Option LK-107	Unicode font	
i-Option LK-108	OCR font (OCR-A, OCR-B (PCL))	
i-Option LK-110 v2	File format extension package	
i-Option LK-111	ThinPrint function	
i-Option LK-114	Server-less Pull Printing function	Upgrade Kit UK-211 is required.
i-Option LK-115 v2	TPM function	Not available in China.

\*1 Device Connection I/F Kit EK-608 or EK-609 is required.

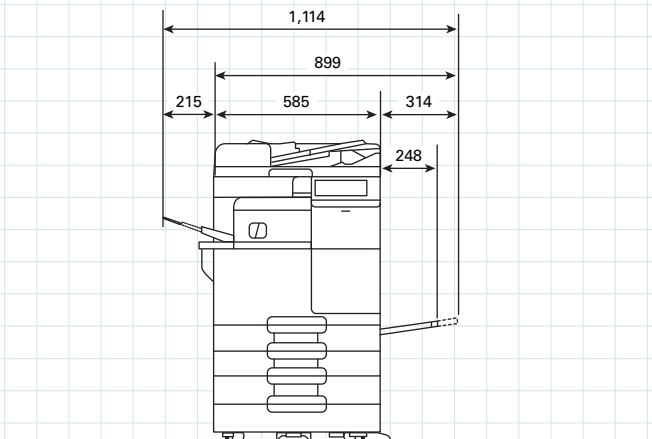
## Space Requirements

Dimensions (unit: mm)

■ bizhub 367/287/227 + DF-628 + PC-213 (PC-113/PC-413/DK-513)



■ bizhub 367/287/227 + DF-628 + PC-213 (PC-113/PC-413/DK-513) + FS-533



■ bizhub 367/287/227 + DF-628 + PC-213 (PC-113/PC-413/DK-513) + RU-514 + FS-534SD

